



SERVING THE FOOD INDUSTRY SINCE 1951

## Top-Down Manual Press Patty Maker with Rear-Mounted Paper Holder

ITEM:

21572

21573



One pack of patty paper included

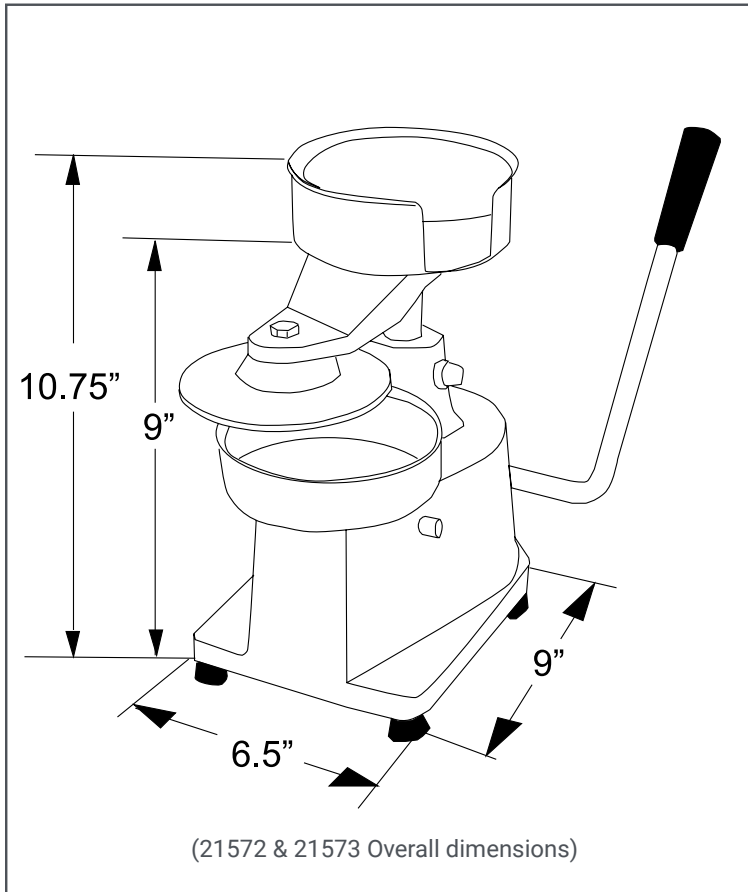
**Your solution for a quick and consistent hamburger patty production.**

These patty makers offer quick production of hamburgers and patties. Ideal for restaurants and food trucks.

This machine is made of anodized aluminum. The parts that are in contact with the meat are made of stainless steel and are easily removable for cleaning.



## TECHNICAL DRAWING



## TECHNICAL SPECIFICATION

	21572	21573
Item	21572	21573
Type	4" Diameter	5.2" Diameter
Patty Weight Capacity	3.5 oz. (99 g)	6 oz. (168 g)
Net Weight	11.44 lbs (5 kg)	
Net Dimensions (WDH)	13.2 lbs (6 kg)	
Gross Weight	9" x 6.5 x 10.75" (229 x 165 x 273 mm)	
Gross Dimensions (WDH)	10.75" x 9.5" x 12" (273 x 241 x 305 mm)	

Dimensions rounded up to the nearest inch or millimeter. Specifications subject to change without notice.